

Filtre à Sable

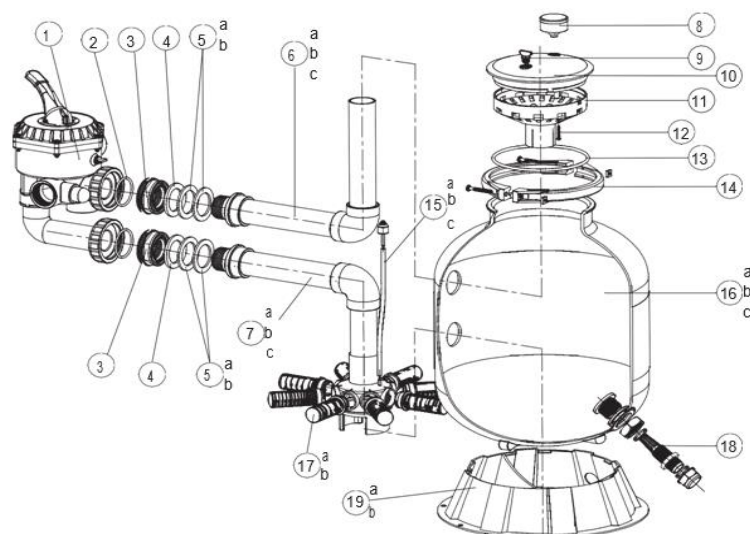
Polyéthylène

Side

11m³/h 560mm

C-11-002234

DEXTON[®]



No.	Code CPF	Référence Fournisseur	Désignation	Code Barres	Conditionnement	PU HT EUR 2020
1	C-11-001820	647304171	VANNE 6 V. FILTRE DEXTON SIDE	5020110018202	1	
2	C-11-210725	65431027	JOINT VANNE 6V. FILTRE DEXTON SIDE	5020112107256	2	
3	C-11-210726	647301104	TRAVERSEE CUVE FILTRE DEXTON SIDE	5020112107263	2	
4	C-11-001822	647304109	JOINT TRAVERSEE CUVE FILTRE DEXTON SIDE	5020110018226	2	
5a	C-11-210727	647304106	JOINT PLAT FILTRE DEXTON SIDE 11m ³ /h 560mm	5020112107270	2	
5b	C-11-210728	647304117	JOINT PLAT FILTRE DEXTON SIDE 15m ³ /h 660mm	5020112107287	2	
6a			COUDE SUPERIEURE FILTRE DEXTON SIDE 8m ³ /h 560mm		1	
6b	C-11-210729	647305171	COUDE SUPERIEURE FILTRE DEXTON SIDE 11m ³ /h 560mm	5020112107294	1	
6c	C-11-210730	647306171	COUDE SUPERIEURE FILTRE DEXTON SIDE 15m ³ /h 660mm	5020112107300	1	
7a			COUDE INFERIEURE FILTRE DEXTON SIDE 8m ³ /h 560mm		1	
7b	C-11-210731	647305172	COUDE INFERIEURE FILTRE DEXTON SIDE 11m ³ /h 560mm	5020112107317	1	
7c	C-11-210732	647306172	COUDE INFERIEURE FILTRE DEXTON SIDE 15m ³ /h 660mm	5020112107324	1	
8	C-11-200004	97202	MANOMETRE FILTRE DEXTON SIDE	5020112000045	1	
9	C-11-210733	88601004	BOUCHON DE PURGE FILTRE DEXTON SIDE	5020112107331	1	
10	C-11-001826	647304116	COUVERCLE FILTRE DEXTON SIDE	5020110018264	1	
11	C-11-210734	647304004	DIFFUSEUR FILTRE DEXTON SIDE	5020112107348	1	
12	C-11-210735	65212006	VIS FILTRE DEXTON SIDE	5020112107355	1	
13	C-11-001831	65431012	JOINT COUVERCLE FILTRE DEXTON	5020110018318	1	
14	C-11-001817	647304072	BRIDE DE COUVERCLE FILTRE DEXTON	5020110018172	1	
15a	C-11-001830	647304172	TUBE AIR FILTRE DEXTON SIDE 8m ³ /h 460mm	5020110018301	1	
15b	C-11-210736	647305173	TUBE AIR FILTRE DEXTON SIDE 11m ³ /h 560mm	5020112107362	1	
15c	C-11-210737	647306173	TUBE AIR FILTRE DEXTON SIDE 15m ³ /h 660mm	5020112107379	1	
16a			CUVE FILTRE DEXTON SIDE 8m ³ /h 460mm		1	
16b	C-11-210738	647305108	CUVE FILTRE DEXTON SIDE 11m ³ /h 560mm	5020112107386	1	
16c	C-11-210739	647306108	CUVE FILTRE DEXTON SIDE 15m ³ /h 660mm	5020112107393	8	
17a	C-11-002232	647304017	CREPINE FILTRE DEXTON TOP 8m ³ /h 460mm & 11m ³ /h 560mm	5020110022322	8	
17b	C-11-002233	647306016	CREPINE FILTRE DEXTON TOP 15m ³ /h 660mm	5020110022339	1	
18	C-11-001829	647304073	VIDANGE FILTRE DEXTON SIDE	5020110018295	1	
19a	C-11-001827	647304009	SUPPORT FILTRE DEXTON 8m ³ /h 400mm	5020110018271	1	
19b	C-11-001828	647305009	SUPPORT FILTRE DEXTON 11m ³ /h 560mm & 15m ³ /h 660mm	5020110018288	1	